

GTO Snubber Protection Capacitor C35



Characteristics

- Round plastic pipe, PET tape wrapping, epoxy resin perfusion
- Tin plated copper nut or copper sheet leads.
- High voltage, small $tg\delta$, low temperature rise
- Low ESL, low ESR
- High pulse current, high dV/dt , high stability, self healing

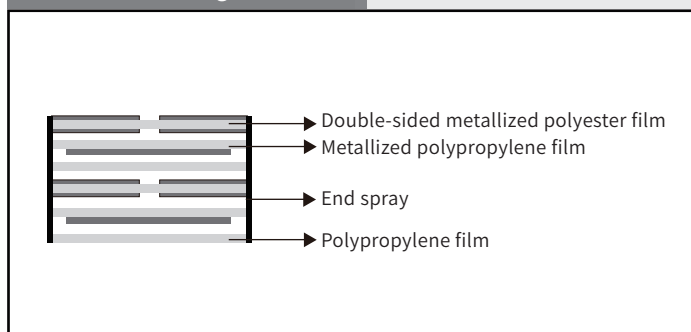
Application

- Damping of voltage spikes on GTO burst
- High ripple current D.C. filtering
- For high voltage pulse and high frequency application

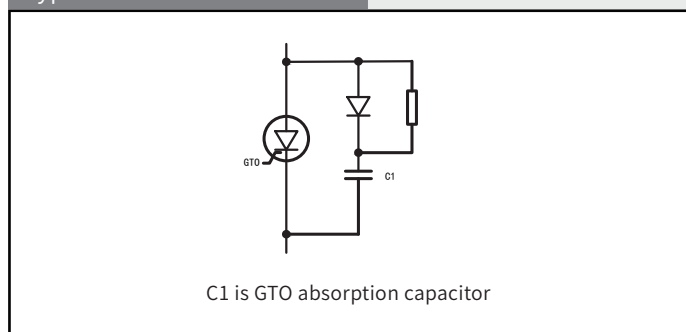
Technical Data

● Reference Standard	IEC61071 .GB/T17702
● Operating Temperature Range	-40°C~+70°C(Max. +85°C) Tmax +85°C
● Capacitance Range	0.33 μ F ~6.0 μ F
● Rated Voltage	3000VDC~20000VDC
● Capacitance Tolerance	$\pm 5\%$ (J); $\pm 10\%$ (K)
● Withstand Voltage	1.5Un DC/10S
● Dissipation Factor	$tg\delta \leq 0.0005$ $C \leq 1\mu F$ $f=10KHz$ at 20°C
	$tg\delta \leq 0.0010$ $C \geq 1\mu F$ $f=10KHz$ at 20°C
● Insulation Resistance	$C \leq 0.33\mu F$ $R_s \geq 30000M\Omega$ (at 20°C 100VDC 60S)
	$C > 0.33\mu F$ $R_s C \geq 10000S$ (at 20°C 100VDC 60S)
● Flame Retardation	UL94V-0
● Life Expectancy	100000hrs (U_n $\theta_{hotspot} \leq 70^\circ C$)

Construction Diagram



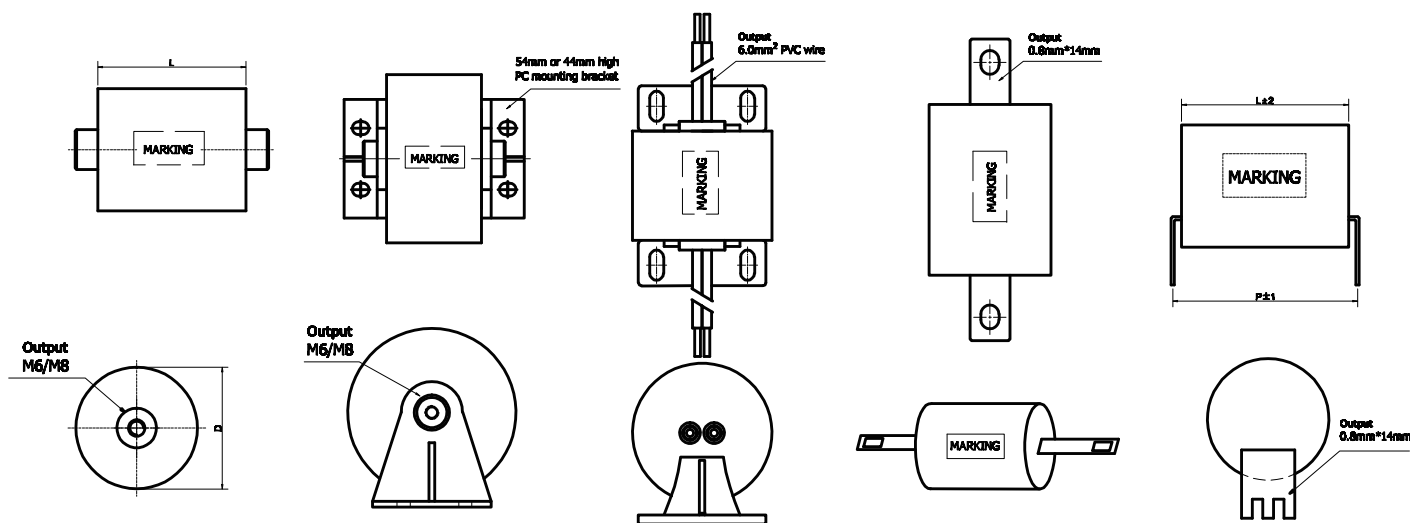
Typical Circuit



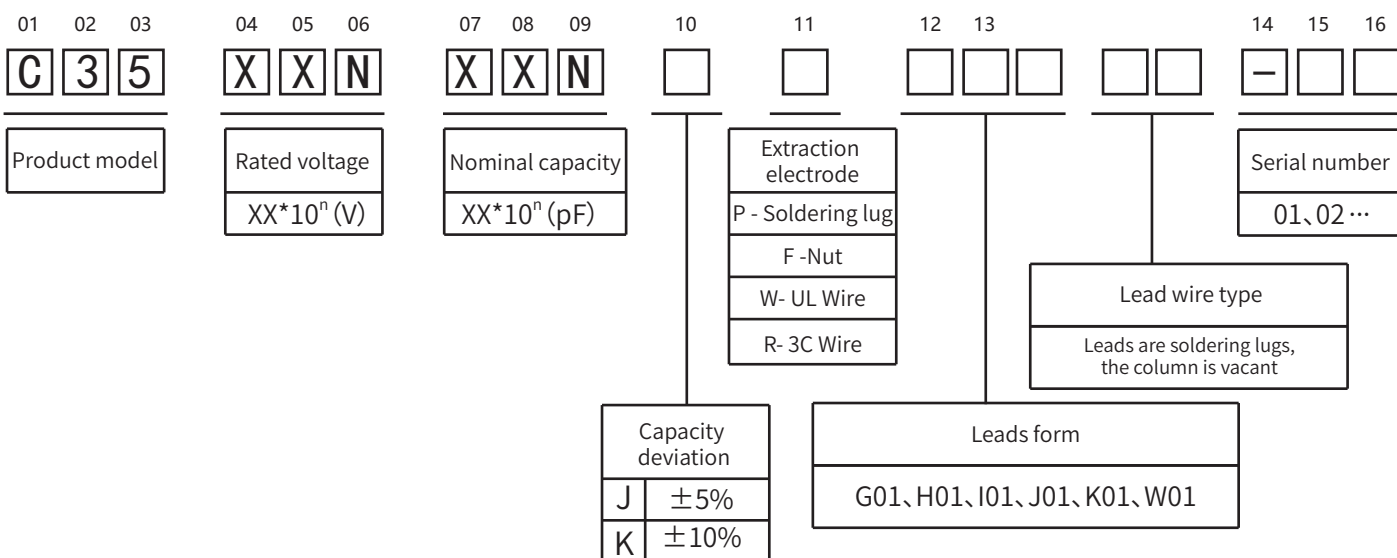
C35

GTO Snubber Protection Capacitor

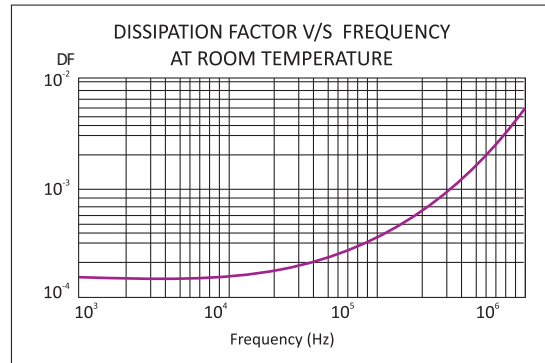
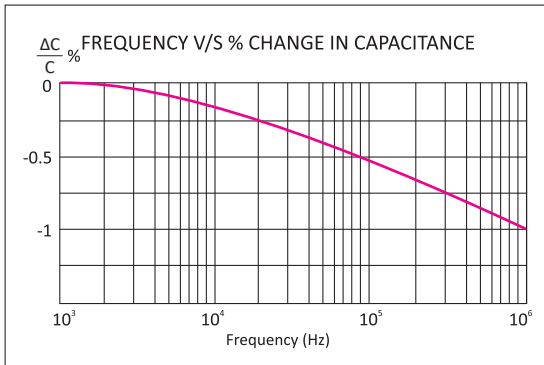
Product Shape



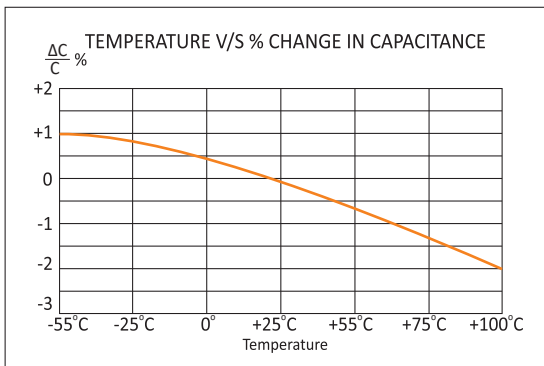
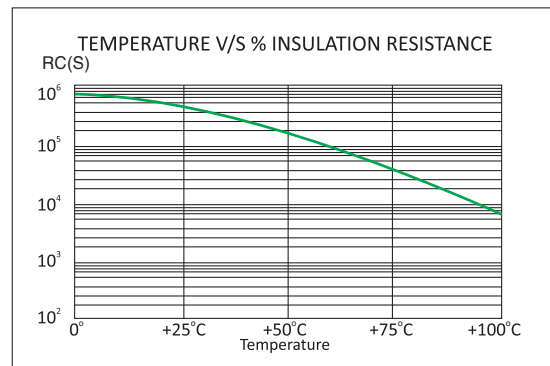
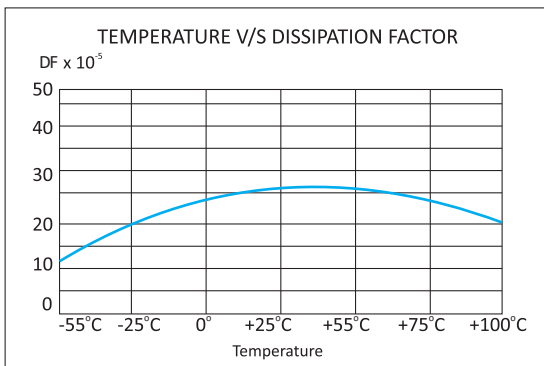
Product Coding



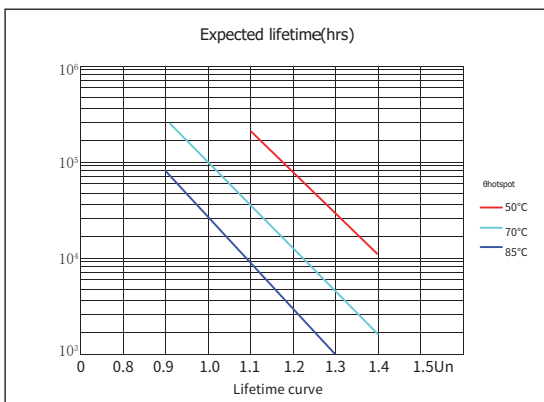
Temperature Characteristics



Frequency Characteristics



Life Expectancy



C35

GTO Snubber Protection Capacitor

Article Table

Part Number	CAP μF	Dimension (mm)		dV/dt (V/μs)	Ipeak (A)	Irms @10KHz70℃ (A)	ESL (nH)	ESR @100KHz20℃ (mΩ)	Output
		L	D						
U _N 3000VDC/1200VAC									
C35302224J.....	0.22	44	35	1100	242	30	25	6.5	M6
C35302334J.....	0.33	44	43	1000	330	35	25	5.0	M6
C35302474J.....	0.47	44	51	850	399	45	22	4.5	M6
C35302684J.....	0.68	44	61	800	544	55	22	4.0	M6
C35302105J.....	1.0	44	74	700	700	65	20	3.2	M8
C35302125J.....	1.2	44	80	650	780	75	20	3.0	M8
C35302155J.....	1.5	70	52	600	900	45	30	5.0	M6
C35302205J.....	2.0	70	60	500	1000	55	30	4.5	M6
C35302305J.....	3.0	70	73	400	1200	65	30	3.5	M8
C35302405J.....	4.0	70	83	350	1400	70	30	3.0	M8
U _N 4000VDC/1600VAC									
C35402504J.....	0.5	60	36	800	400	40	40	2.8	M6
C35402684J.....	0.68	60	41	800	544	45	37	2.5	M6
C35402105J.....	1.0	60	50	750	750	55	35	2.3	M6
C35402155J.....	1.5	60	60	750	1125	70	33	2.0	M6
C35402205J.....	2.0	60	69	700	1400	80	32	1.7	M8
C35402255J.....	2.5	60	76	650	1625	90	30	1.6	M8
C35402305J.....	3.0	60	84	650	1950	100	28	1.5	M8
C35402305J.....	3.0	110	60	550	1650	75	38	2.0	M6
C35402405J.....	4.0	60	96	600	2400	120	25	1.3	M8
C35402405J.....	4.0	110	69	500	2000	85	35	1.8	M8
U _N 5000VDC/2000VAC									
C35502504J.....	0.5	60	44	1000	500	45	25	2.2	M6
C35502684J.....	0.68	60	51	1000	680	50	23	1.8	M6
C35502754J.....	0.75	60	53	1000	750	55	23	1.6	M6
C35502105J.....	1.0	60	61	900	900	60	22	1.3	M6
C35502135J.....	1.3	60	68	850	1105	70	21	1.1	M8
C35502155J.....	1.5	60	74	850	1275	75	21	0.9	M8
C35502205J.....	2.0	60	85	800	1600	85	20	0.8	M8
C35502255J.....	2.5	110	68	600	1500	75	28	1.5	M8
C35502305J.....	3.0	110	74	600	1800	85	27	1.3	M8
U _N 6000VDC/2400VAC									
C35602224J.....	0.22	60	43	1500	330	35	25	2.2	M6
C35602334J.....	0.33	60	52	1200	396	45	25	2.1	M6
C35602474J.....	0.47	60	62	1000	470	50	25	1.9	M6
C35602684J.....	0.68	60	74	900	612	60	22	1.7	M8
C35602105J.....	1.0	60	90	800	800	75	22	1.6	M8

The above table / graphics are for reference only, subject to the actual product (unit: mm)

Article Table

Part Number	CAP μF	Dimension (mm)		dv/dt (V/μs)	Ipeak (A)	Irms @100KHz70℃ (A)	ESL (nH)	ESR @100KHz20℃ (mΩ)	Output
		L	D						
U _N 8000VDC/3200VAC									
C35802334J●●●●●	0.33	90	35	1100	363	25	30	6.2	M6
C35802474J●●●●●	0.47	90	41	1000	470	30	28	5.7	M6
C35802684J●●●●●	0.68	90	49	850	578	35	28	4.9	M6
C35802105J●●●●●	1.0	90	60	800	800	40	25	4.3	M6
C35802155J●●●●●	1.5	90	72	700	1050	45	25	3.7	M8
C35802205J●●●●●	2.0	90	83	650	1300	50	25	3.3	M8
U _N 10000VDC/4000VAC									
C35103334J●●●●●	0.33	114	45	1500	495	30	35	8.7	M6
C35103474J●●●●●	0.47	114	54	1300	611	35	35	7.8	M6
C35103684J●●●●●	0.68	114	65	1200	816	40	35	6.6	M6
C35103105J●●●●●	1.0	114	78	1000	1000	55	30	5.6	M8
C35103155J●●●●●	1.5	114	95	800	1200	70	30	4.5	M8
U _N 20000VDC/8000VAC									
C35203103J●●●●●	0.01	138	40	2000	20	1.0	60	80	1.2

The above table / graphics are for reference only, subject to the actual product (unit: mm)

Note: Maximum Irms current at 100kHz, Tamb=70℃ ΔT≤15℃.